

Pronto Series - P33

3-leg Electric Height Adjustable Table Base

Quick Install Quick Ship



LONE STAR ERGO

877-746-2055 | LoneStarErgo.com

Pronto Series - P33

3-leg Electric Height Adjustable Table Base

FEATURES

- Triple motor lifting system.
- 3-Stage height adjustability
- Steel Frame/foot Construction (dual crossbars)
- Height Range 21.1" – 47.2"
- Total Height Range 26.1"
- Speed 1.4"/Second
- Quick Install with 3 Frame adjustments:
90 / 120 / Linear
- Frame Width:
90 Degree: 59.1" – 82.2"
20 Degree: 53.9 – 83.9"
Linear: 86.3" – 130"
- Accommodates Worksurface:
90 Degree: 60" – 86"
120 Degree: 54" – 84"
Linear: 87" – 134"
- Maximum Weight Load: 380 lbs
- Low Standby power consumption
- Anti Collision & Gyro Built Into Control Box
- Meets or exceeds BIFMA X5.5 guidelines
- Base is UL Listed E340036
- Includes 8.0' power cord
- Warranty: 10 yr. on electrical components
life time on structural components



OPTIONS

Available Colors

- Silver (SLV)
- Black (BLK)
- White (WHT)

Handset Options

- 3 memory touchpad with digital readout

Feet Options

- T Shape
- 24" or 30" Length Available

PRODUCT CODE:

LSE-P33-T-_*-*_*_*_*

**Feet options

- T shape: 24" or 30"

***Available colors

- Silver (SLV)
- Black (BLK)
- White (WHT)

List Price: \$1,845.00 (Base Only)

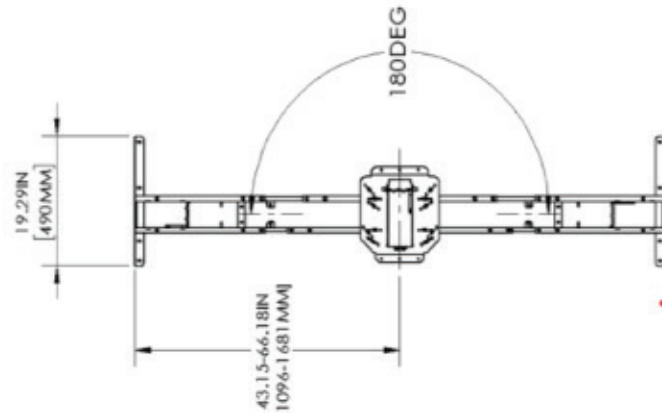
LONE STAR ERGO

877-746-2055 | LoneStarErgo.com

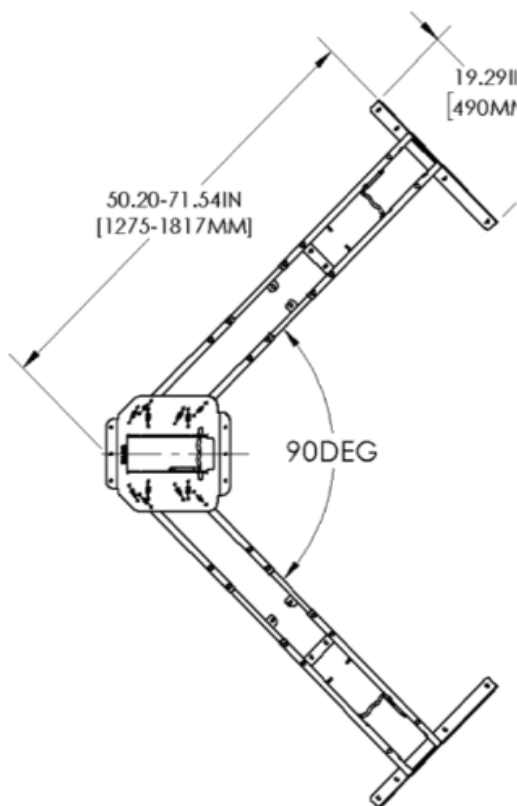
Pronto Series - P33

3-leg Electric Height Adjustable Table Base

Linear Pronto P33 base dimensions



90 degree Pronto P33 base dimensions



120 degree Pronto P33 base dimensions

